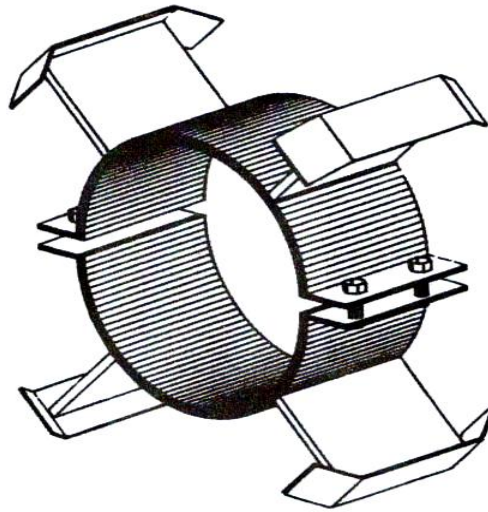


SPIDER[®]

SUPPORTS AND SPACERS

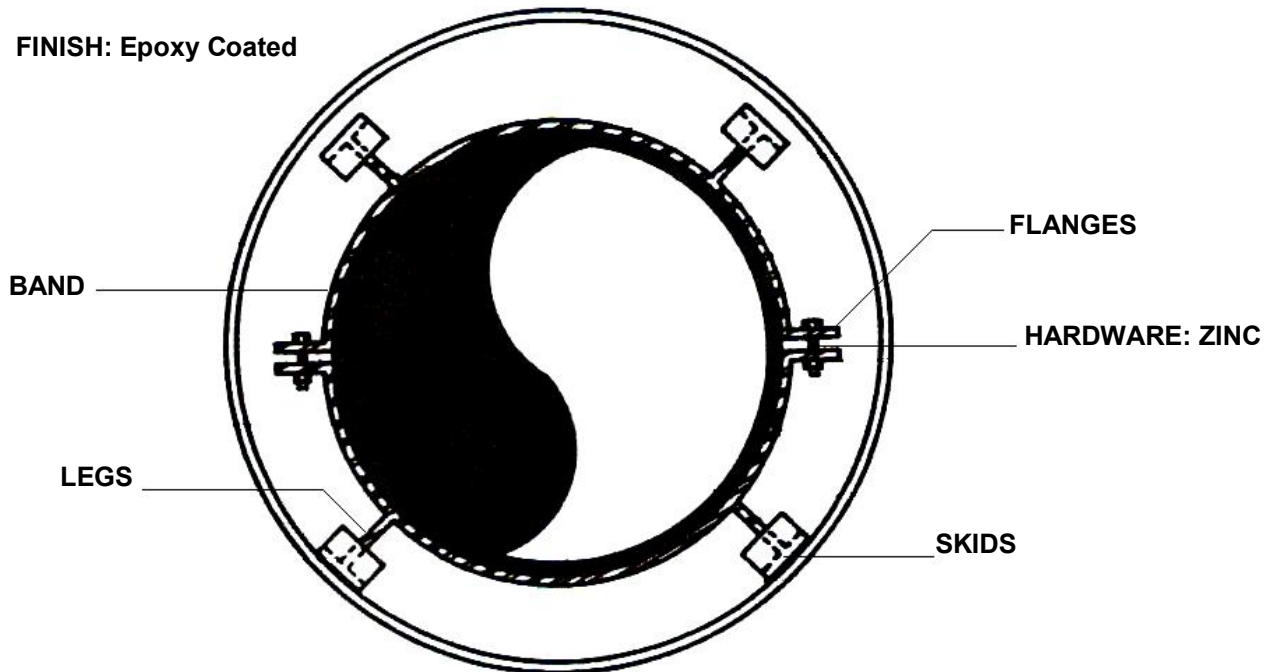
2- PIECE SPIDER SUPPORT AND SPACER DETAIL

Recommended for carrier pipe 18" or larger



Casing

FINISH: Epoxy Coated



NOT TO SCALE

COPY RIGHT 1991 REG. US PATENT



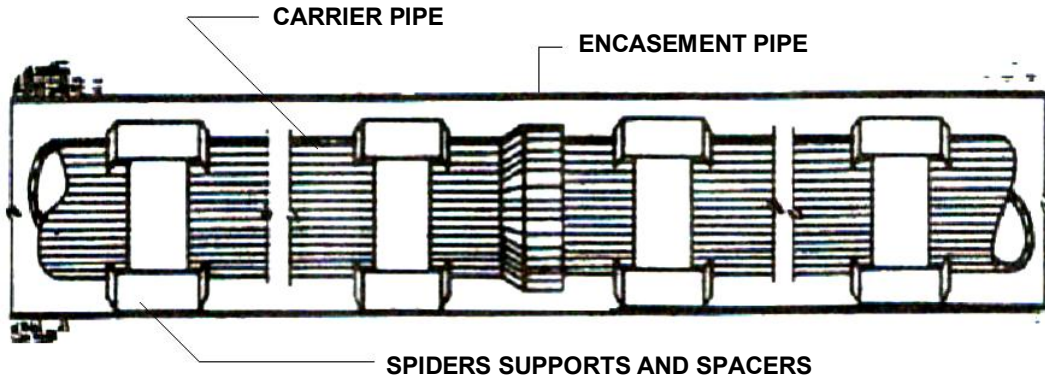
SPIDER MANUFACTURING INC.

PO BOX 15947 - DURHAM, NC 27704 - 919-575-0414 PHONE - 919-575-0420 FAX - 1-800-957-7433

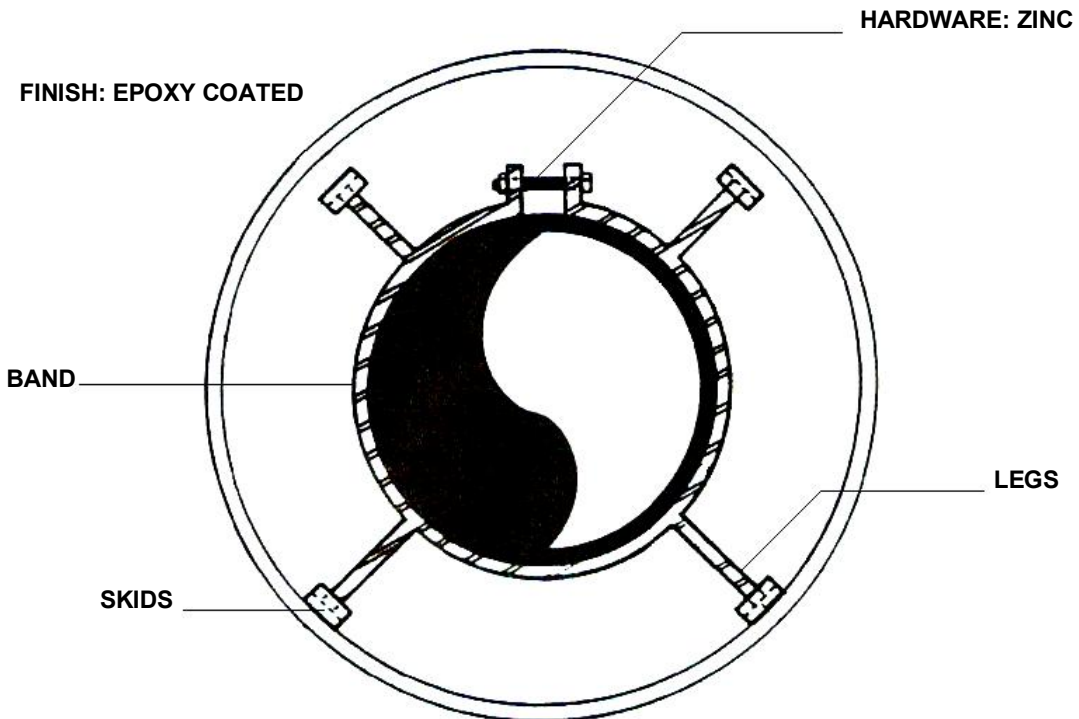
www.spiderpipesupports.com

SPIDER[®]

SUPPORTS AND SPACERS



CASING SECTION



NOT TO SCALE

COPY RIGHT 1991 REG. US PATENT

SPIDER MANUFACTURING INC.

PO BOX 15947 - DURHAM, NC 27704 - 919-575-0414 PHONE - 919-575-0420 FAX - 1-800-957-7433

www.spiderpipesupports.com

