

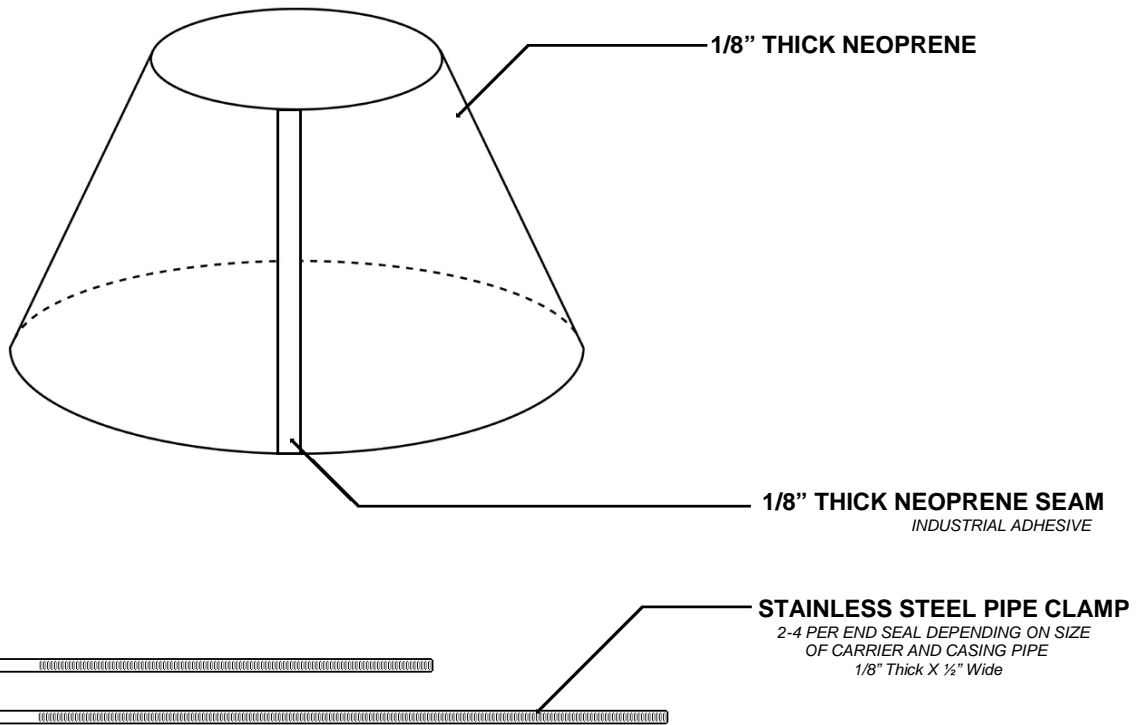


# SPIDER<sup>®</sup>

## SUPPORTS AND SPACERS

### END SEAL DETAIL

For Carrier Pipes 4" and above



NOT TO SCALE

COPY RIGHT 1991 REG. US PATENT



SPIDER MANUFACTURING INC.  
PO BOX 81 - BUTNER, NC 27509 - 919-575-0414 PHONE - 919-575-0420 FAX - 1-800-957-7433  
CustomerService@SpiderPipeSupports.com