



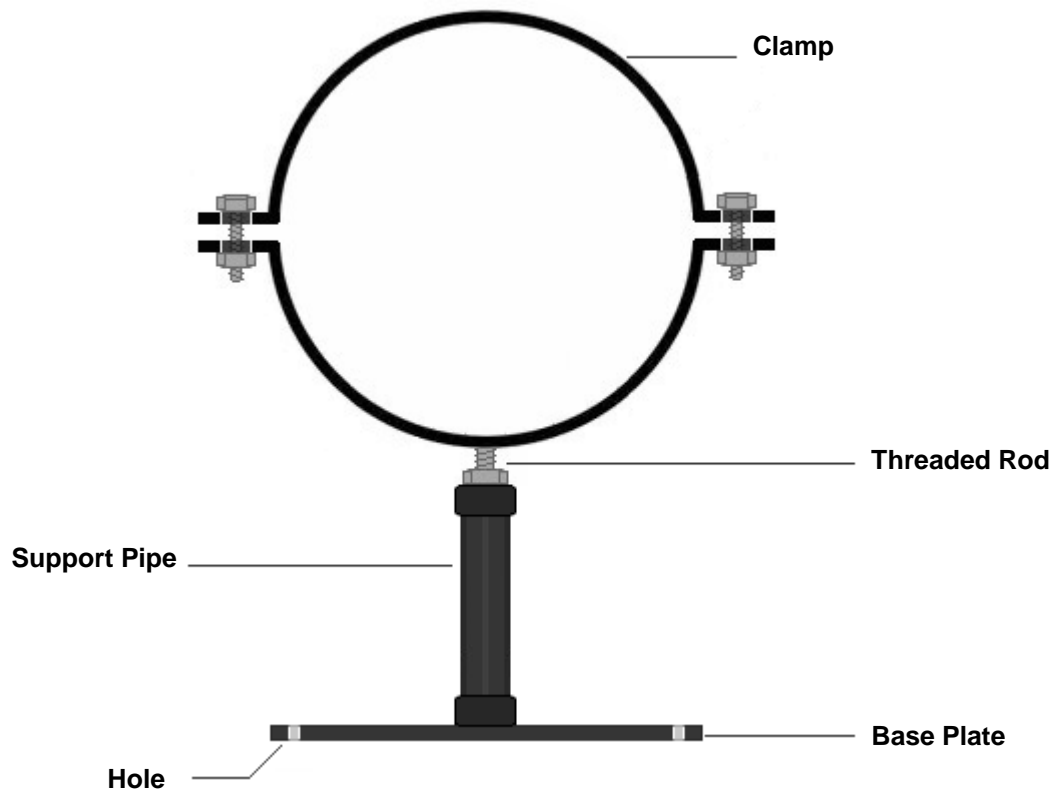
SPIDER[®]

SUPPORTS AND SPACERS

Saddle Pipe Support Stand

Model SPSS(CL)

Available in 304 or 316 Stainless Steel
Carbon Steel ASTM A36 with Bituminous, Hot Dipped Galvanized, Epoxy or Primed



www.SpiderPipeSupports.com

PO BOX 81 - BUTNER, NC 27509 - 919-575-0414 PHONE - 919-575-0420 FAX - 1-800-957-7433
CustomerService@SpiderPipeSupports.com

Saddle Pipe Support Stand

Model SPSS(CL)

Dimensions

Pipe Size	Clamp Dimensions	Threaded Rod	Base Plate	Center Pipe	Hole
2"	3/8"x2"	1"x6"	1/4"x4"x6"	2" Sch 40	9/16"
2.50"	3/8"x2"	1"x6"	1/4"x4"x6"	2" Sch 40	9/16"
3"	3/8"x2"	1"x6"	1/4"x8"x8"	2" Sch 40	9/16"
4"	1/2"x2"	1"x6"	1/4"x8"x8"	2" Sch 40	9/16"
6"	1/2"x2"	1"x6"	1/4"x8"x8"	2" Sch 40	9/16"
8"	1/2"x2"	1"x6"	1/4"x8"x8"	2" Sch 40	9/16"
10"	1/2"x2"	1"x6"	1/4"x8"x8"	2" Sch 40	9/16"
12"	1/2"x2"	1"x6"	1/4"x8"x8"	2" Sch 40	9/16"
14"	5/8"x3"	1-1/2"x6"	1/2"x8"x8"	3" Sch 40	9/16"
16"	5/8"x3"	1-1/2"x6"	1/2"x8"x8"	3" Sch 40	9/16"
18"	3/4"x4"	2"x6"	1/2"x8"x8"	4" Sch 40	9/16"
20"	3/4"x4"	2"x6"	1/2"x8"x8"	4" Sch 40	9/16"
24"	3/4"x4"	2"x6"	1/2"x16"x16"	4" Sch 40	9/16"
30"	1"x5"	2"x6"	1/2"x16"x16"	6" Sch 40	9/16"
36"	1"x5"	2"x6"	1/2"x16"x16"	6" Sch 40	9/16"

Additional Customization available to suit project needs

Part Numbers

Stainless Steel 304 Type **SPSS(CL)(SS)**- followed by pipe OD

Stainless Steel 316 Type **SPSS(CL)(SS316)**- followed by pipe OD

Galvanized Type **SPSS(CL)(G)**- followed by pipe OD

Bituminous Type **SPSS(CL)(B)**- followed by pipe OD

Epoxy Type **SPSS(CL)(E)**- followed by pipe OD

Plain Finish Type **SPSS(CL)(P)**- followed by pipe OD

Installation

To better assist you to achieve the optimal performance of our Pipe Stand. We recommend the following procedures be taken during the installation process. Determine the optimal height of stand, and make adjustments accordingly.

Upon achieving the required height tack weld the upper cup and lower cup to the center pipe using either a Mig welder (SGMAW) process or a (SMAW) Low hydrogen rod such as an E7018. At this point recheck pipe fitment and alignment before moving forward. If needed you can adjust the Pipe Stand up or down by rotating the entire lower portion of the stand with the collar nut.

Upon verifying proper fitment and alignment, the base plate can now be anchored to the floor or wall. Never use permanent anchoring techniques that would prevent future adjustments.

www.SpiderPipeSupports.com

PO BOX 81 - BUTNER, NC 27509 - 919-575-0414 PHONE - 919-575-0420 FAX - 1-800-957-7433
CustomerService@SpiderPipeSupports.com