



SPIDER®

SUPPORTS AND SPACERS

Seal Ring Clamp

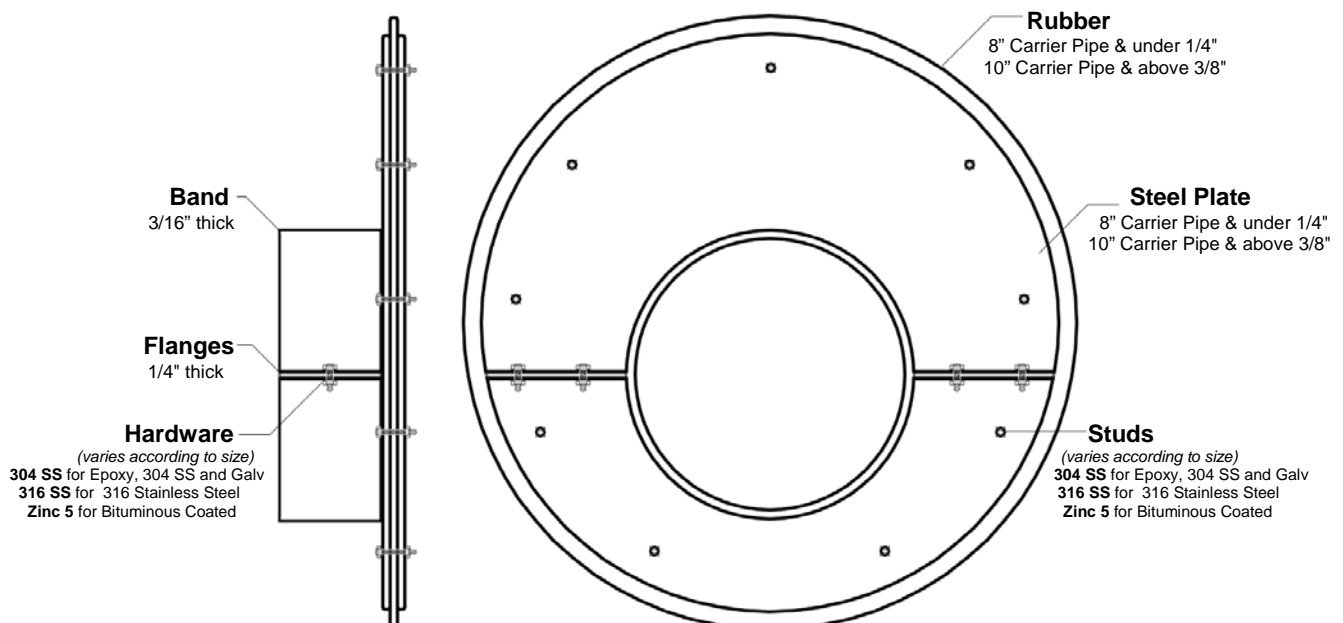
Model #SRC

Two steel plates compress the rubber inside of the casing pipe to create a water tight seal.

Options:

Steel Section: Stainless Steel (304 and 316) or Carbon Steel with Bituminous, Galvanized or Epoxy Coated

Rubber: Neoprene, EPDM, Nitrile or Red Silicone



www.SpiderPipeSupports.com

PO BOX 81 - BUTNER, NC 27509 - 919-575-0414 PHONE - 919-575-0420 FAX - 1-800-957-7433
CustomerService@SpiderPipeSupports.com